

The photograph may not match the reference exactly. Please read the product description to identify the finish.

**TECHNICAL CHARACTERISTICS**



Type:	Street Lighting			
IP Protection degrees:	IP66			
IK Protection degrees:	IK10			
Light source 1:	42x LED CREE 100W Warm White - 4000K 9600lm <sup>(N)</sup> CRI 70	56x LED CREE 120W Warm White - 4000K 10025lm <sup>(N)</sup> CRI 70	70x LED CREE 150W Warm White - 4000K 14100lm <sup>(N)</sup> CRI 70	98x LED CREE 180W Warm White - 4000K 17000lm <sup>(N)</sup> CRI 70
Total power consumption (W):	100.3	120.1	150.3	180.1
Voltage / Frequency:	100-240V/50-60Hz			
Warranty (Years):	5			
Units per box:	1			
Net Weight (Kg):	11.7/14.7	11.8/14.8	12.0/15.0	12.0/15.0

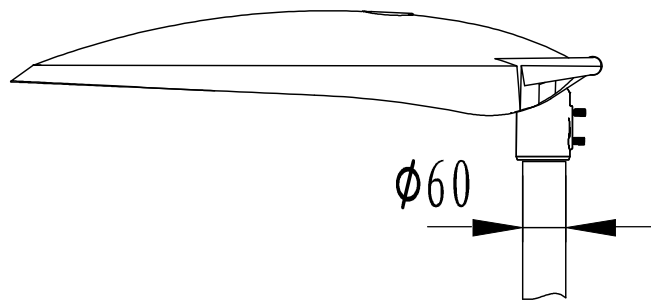
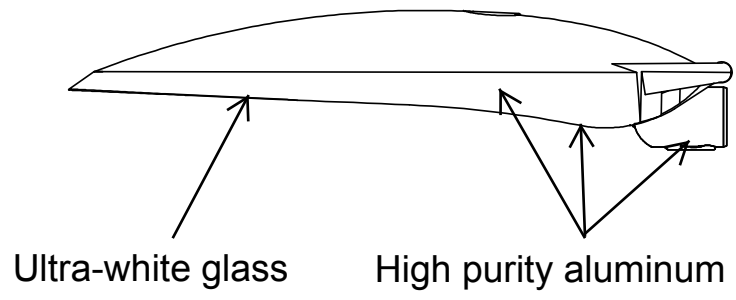
**MATERIALS / FINISHES**

<b>Structure material:</b> High purity aluminium	<b>aiffuser material:</b> Glass
<b>Structure finish:</b> Silver	<b>Diffuser finish:</b> Transparent

**GEAR**

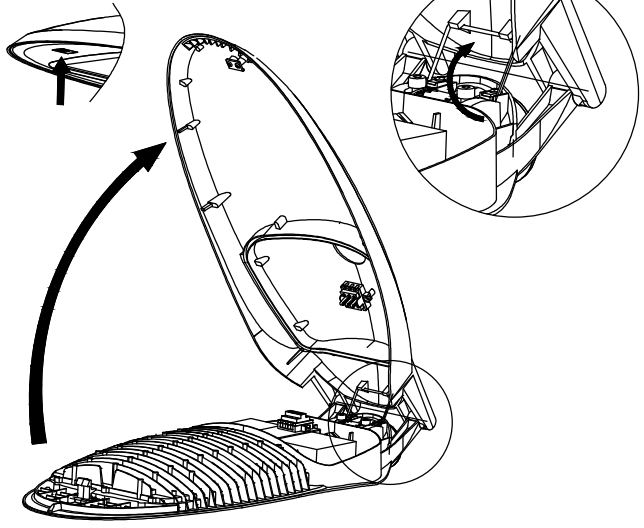
Multi-voltage electronic gear included (110-240 V / 50-60 Hz)

Lm<sup>(N)</sup>: Nominal flow of light in actual working conditions. Its actual flow will depend on the environmental conditions and the efficiency of the optics and/or diffuser.

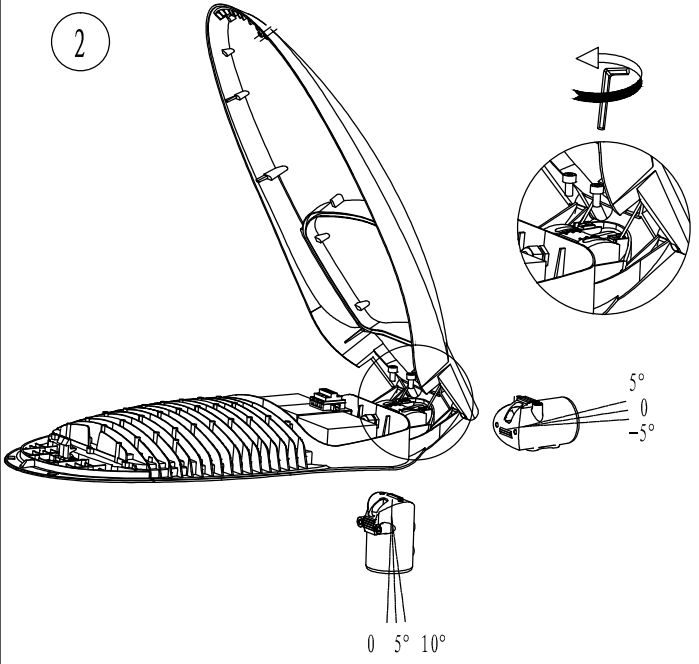


installation template

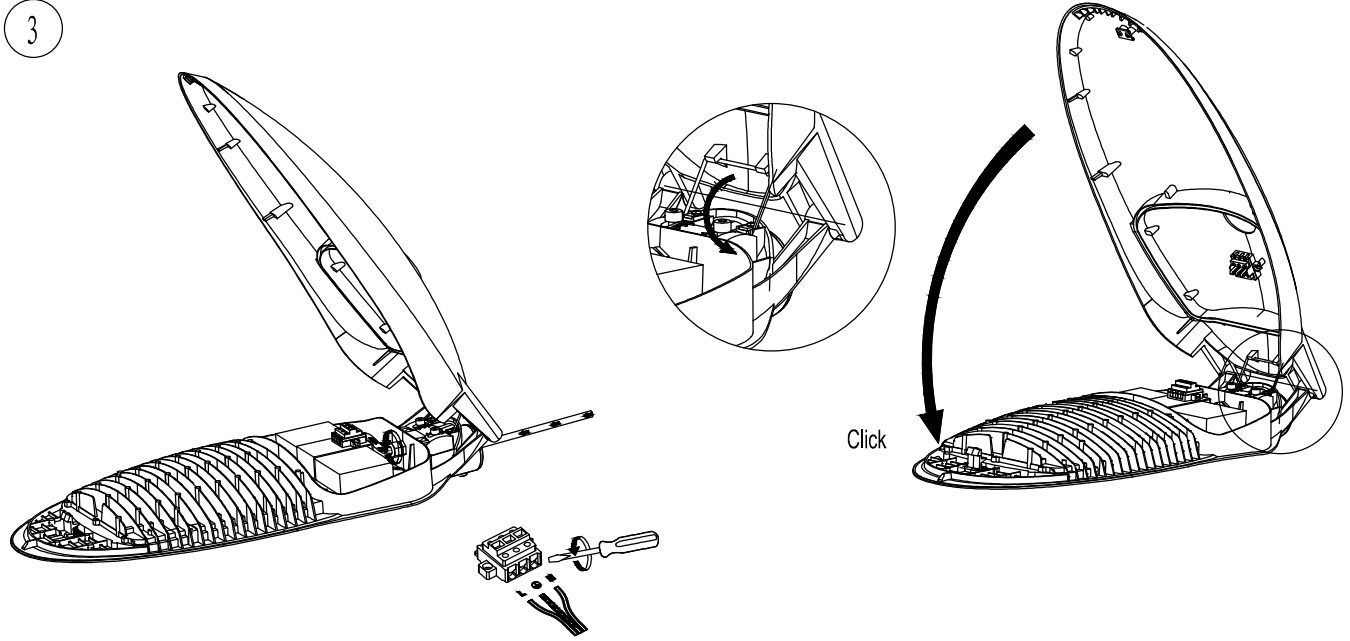
1



2



3



4

